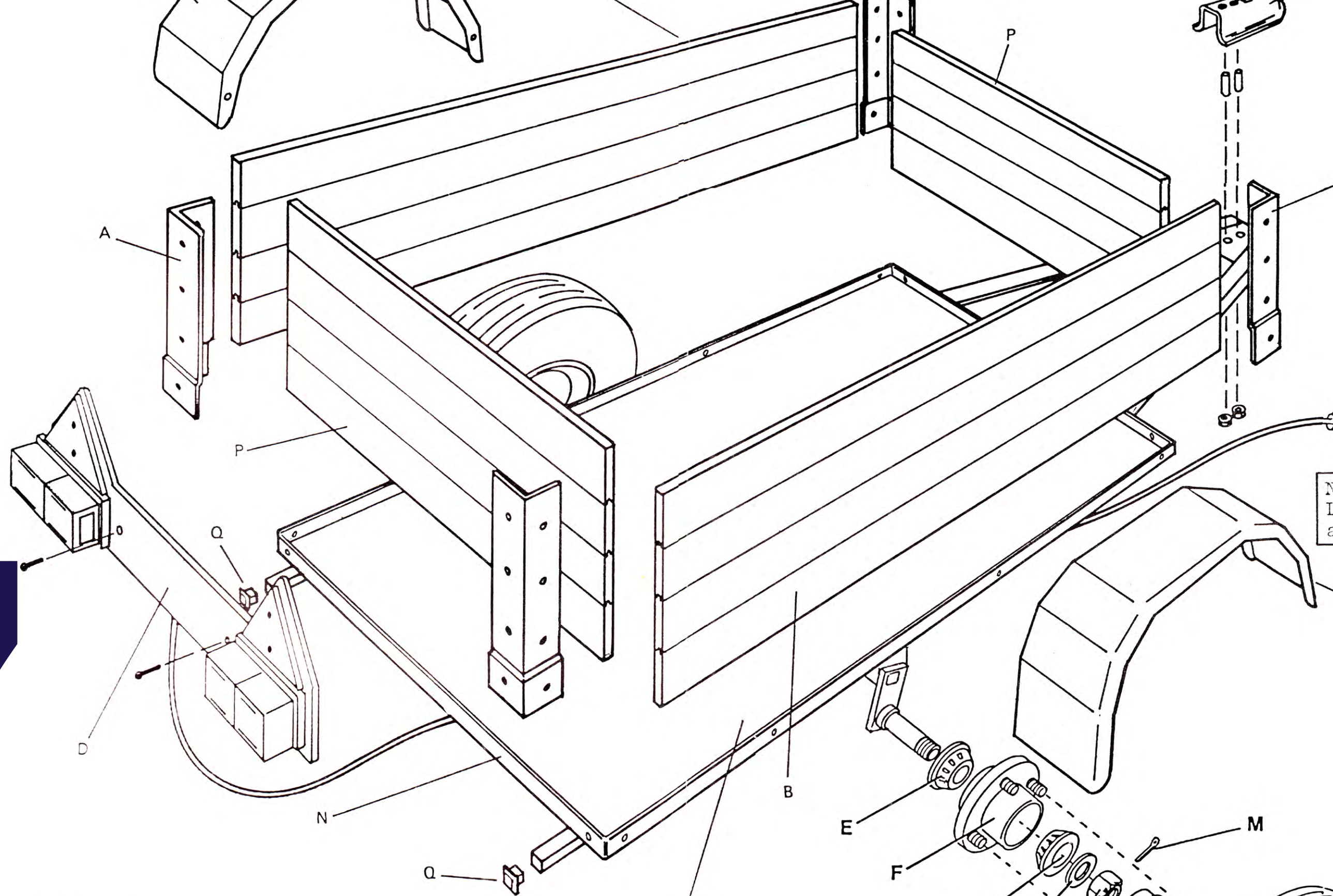


Building Quality Trailers for

57 years



- KEY TO COMPONENTS**
- A CORNER BRACKET
 - A1 BASE PLATE
 - B SIDE RAILS — 4 BOARDS EACH SIDE/TONGUE-GROOVE
 - C MIDDLE RAIL
 - D WHEEL ASSEMBLY
 - E HUB SEAL
 - F HUB
 - G BEARING
 - H WASHER
 - I CASTLE NUT

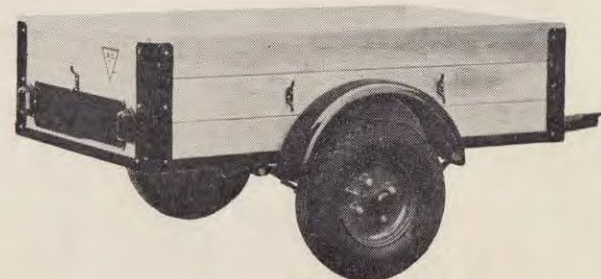
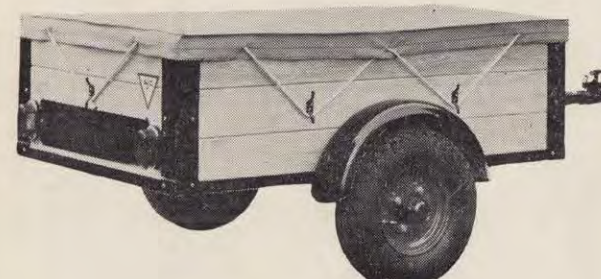
- J HUB COVER
- K WHEEL ASSEMBLY
- L WHEEL NUTS
- M SPLIT PIN
- N CHASSIS ASSEMBLY
- O COUPLING
- P END MEMBERS — 4 BOARDS EACH END/TONGUE-GROOVE
- Q PLASTIC END STOPS



BUILDING QUALITY TRAILERS SINCE 1964

60's Baggage trailers



	
Mk 1 5 cwt. Camping and Luggage Trailer	Mk 2 4 cwt. Camping and Luggage Trailer
Specifications	
48" x 30" x 12" deep; made of $\frac{3}{4}$ " T. & G. timber sides with external grade plywood base.	Body Size etc. 48" x 30" x 14" deep; made of $\frac{3}{4}$ " T. & G. timber sides with external grade plywood base.
All welded angle iron frame with vee shape tow bar and pin type coupling.	Chassis All welded angle iron frame with 2" x 1" x $\frac{3}{16}$ " channel iron tow bar welded to chassis, with 1 $\frac{1}{2}$ " Double lock quick release ball coupling.
4 Leaf semi elliptical springs. 1" solid steel axle. 16 x 4" wheels with 2 ply tyre; wheels are detachable on a 4 stud ball bearing hub with oil seal and hub cap.	Suspension Flexitor independent suspension made by Bramber Engineering Co. are rubber in torsion. These units provide a progressive springing rate with self damping characteristics. Wheels 16 x 4 with 2 ply tyres detachable on a 4 stud ball bearing hub with oil seal and hub caps.
Steel full form dome section.	Mudguards Steel full form dome section.
Rear Lights illuminate number plate.	Lights Stop and Tail which illuminate number plate.



**BUILDING
QUALITY
TRAILERS
SINCE 1964**

RANGE SELECTION FROM ENGLAND'S LARGEST TRAILER MANUFACTURERS

70's 80's Camping Trailers



AJC CAMPING
Trailer tents

The superb AJC *Safari*

It's attention to detail that makes all the difference

- 1 Two double bunks fitted with foam mattresses
- 2 Ample storage space under bunks
- 3 Zip-on bathroom with 4 x 6 inch covered area
- 4 Full width and height of trailer used for storage
- 5 Double inner tent with privacy curtains to bunk area
- 6 Full ventilated framed kitchen area (Countertop)
- 7 Separate veranda area (Countertop)
- 8 Canvas with arched side walls
- 9 Large curtained windows for maximum light
- 10 Drop down supports to bunks
- 11 Telescopic jacks to trailer
- 12 Plastic coated metal trailer body panels

Specification:
Size: 12' x 6' x 6' (H) - 10' x 6' x 6' (H)
Weight: 2500 lbs - 3000 lbs (H)
Max. Load: 1000 lbs (H)
Max. Speed: 55 mph (H)
Max. Wind: 30 mph (H)
Max. Rain: 1/2" (H)

NO HIDDEN

AJC Baggage Trailers

AJC TRAILER TENTS

The superb *SIERRA*

AJC SIERRA Trailer tent.

Unsurpassable quality — realistic price — Study these features

AJC Baggage Trailers

Full specifications overleaf

AIR CAMP

The Air Camp is built securely to a high standard and is stable in high winds. Easy to erect and dismantle. Avoids sleeping on cold, damp ground.

SOLE LICENSEES UNDER UK PATENT



BUILDING QUALITY TRAILERS SINCE 1964

FREE S...
PRICE...
FOR T...
INFOR...

90's 00's Catering Trailers



**BUILDING
QUALITY
TRAILERS
SINCE 1964**

2004 Our 1st EasyCabin



**BUILDING
QUALITY
TRAILERS
SINCE 1964**

Now! 10,000+ Welfare units built



Future...

Hybrid &
sustainable
welfare.
Moving
towards
ZERO
emissions

